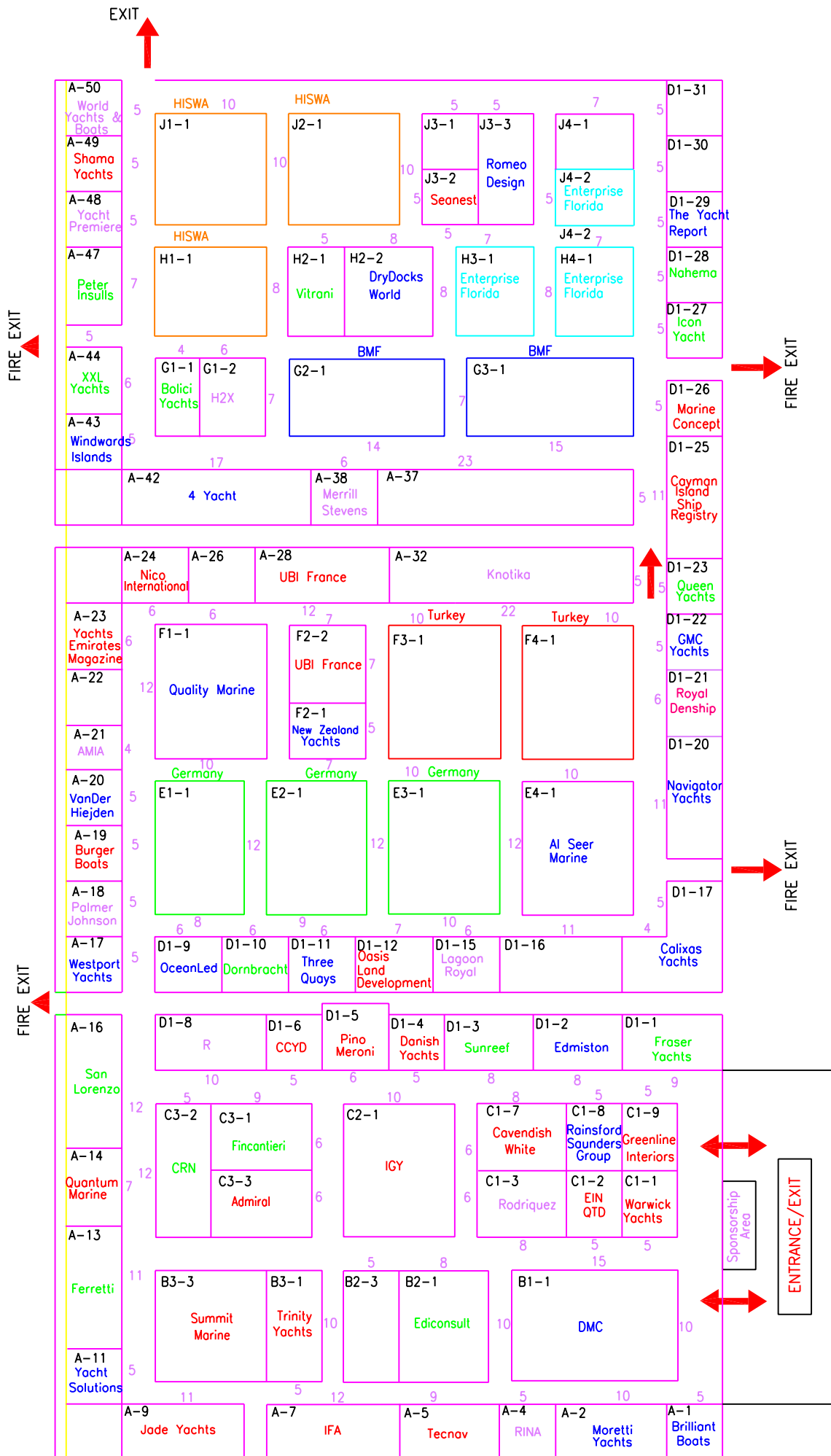


# LSS Area A

DUBAI INTERNATIONAL  
BOAT SHOW 2009

March 3-7, 2009  
Dubai International Marine Club  
DATE OF PRINT: 28/09/08



| REV. | DATE | DESCRIPTION | BY |
|------|------|-------------|----|
|      |      |             |    |



TITLE : -  
DUBAI INTL. BOAT SHOW-2008  
Luxury Supplies  
& Services Area

| SCALE     | DATE | DRAWN | CHECKED |
|-----------|------|-------|---------|
| 1:200(A1) |      | TAJ   |         |

DRAWING No. \_\_\_\_\_ REVISION \_\_\_\_\_